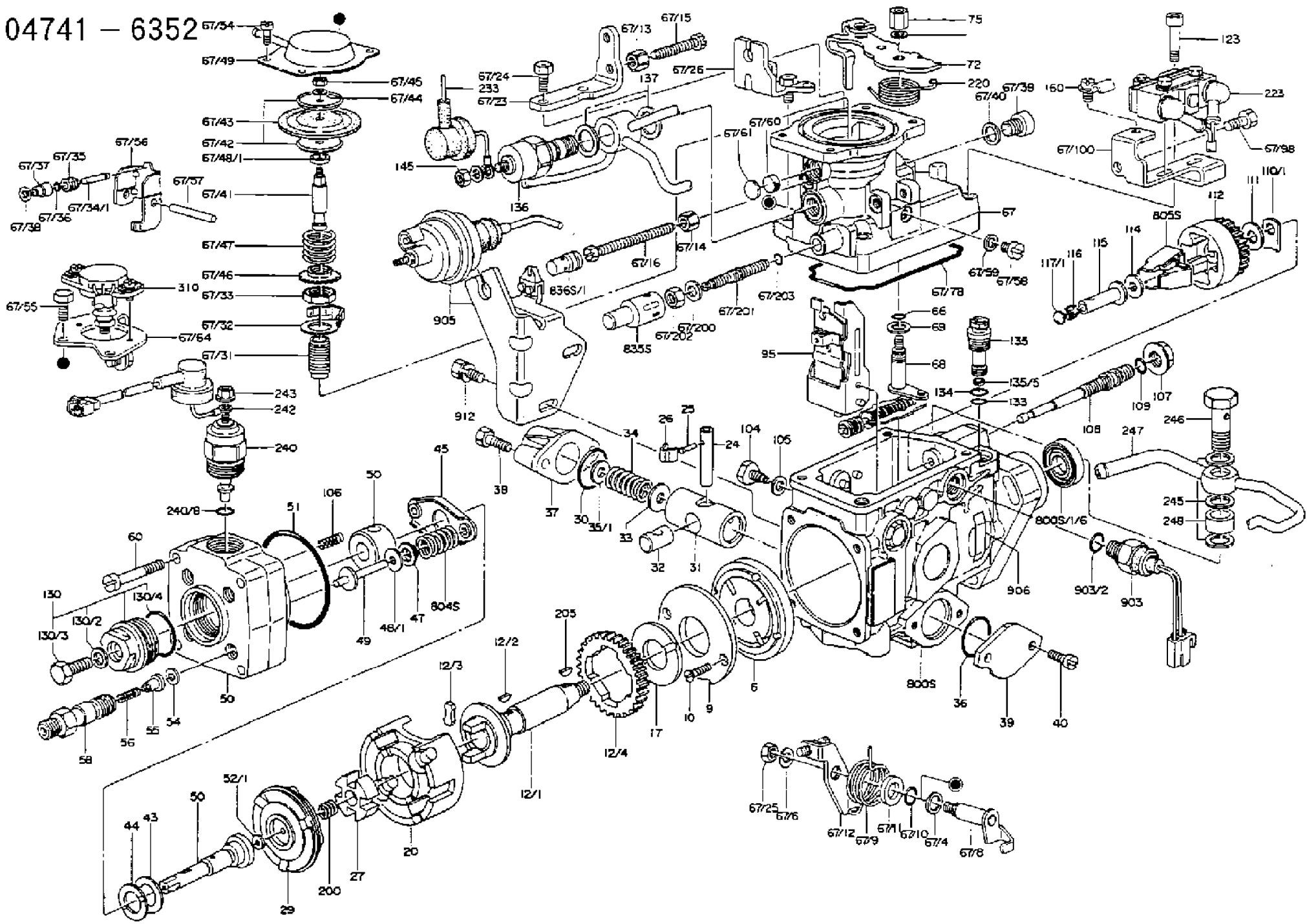


104741 - 6352



104741-6352 9 460 610 360 INJECTION-PUMP ASSEMBLY

Product: 104741-6352 9 460 610 360 INJECTION-PUMP ASSEMBLY

Item	ZEXEL No.	BOSCH No.	Info	Piece	Designation
1/6	146601-0100	9 461 610 432		1	PACKING RING
6	146100-0520	9 461 612 310		1	SUPPLY PUMP:D20 SNT
9	146103-0000	9 461 610 090		1	COVER
10	139104-0000	9 411 610 049		2	FLAT-HEAD SCREW
12/1	146200-0300	9 461 610 104		1	DRIVE SHAFT
12/2	146201-0000	9 461 610 107		1	WOODRUFF KEY
12/3	146202-0001	9 461 610 108		2	DAMPER
12/4	146203-0000	9 461 610 110		1	TOOTHED GEAR
17	146204-0000	9 461 610 111		1	PLAIN WASHER
20	146210-1720	9 461 612 349		1	ROLLER SET
24	146303-0000	9 461 610 147		1	BEARING PIN
25	146304-0000	9 461 610 148		1	BEARING PIN
26	146305-0000	9 461 610 149		1	CLAMPING BAND
27	146205-0000	9 461 610 112		1	SLOTTED WASHER
29	146220-0420	9 461 612 350		1	CAM PLATE:'04'SK3196
30	146600-0800	9 461 610 421		1	O-RING
31	146300-1700	9 461 610 695		1	PUMP PLUNGER:' 17' 5-10
32	146301-0200	9 461 612 353		1	SLIDING PIECE
33	146603-0700	9 461 610 447		1	SHIM
34	146302-6000	9 461 612 355	A	1	COMPRESSION SPRING:K=1.4
34B	146302-5900	9 461 612 354	A	1	COMPRESSION SPRING:K=1.2
35/1	146603-0700	9 461 610 447	A	1	SHIM
35/1	146603-0800	9 461 610 448	A	1	SHIM
35/1	146603-0900	9 461 610 449	A	1	SHIM
35/1	146603-1000	9 461 610 450	A	1	SHIM
35/1	146603-1100	9 461 610 451	A	1	SHIM
35/1	146603-3600	9 461 610 452	A	1	SHIM
36	146600-0800	9 461 610 421		1	O-RING
37	146310-1300	9 461 612 357		1	COVER
38	146620-6300	9 461 612 334		2	BLEEDER SCREW:TIMER C/R
39	146310-0100	9 461 610 151		1	COVER
40	146620-5000	9 461 612 038		2	BLEEDER SCREW
43	146230-0000	9 461 610 123		1	SHIM
44	146230-0100	9 461 610 124		1	PLAIN WASHER
45	146231-0000	9 461 610 125		1	SLOTTED WASHER
47	146233-0000	9 461 610 128		2	SLOTTED WASHER
48/1	146603-0000	9 461 610 440	A	1	SHIM
48/1	146603-0100	9 461 610 441	A	1	SHIM
48/1	146603-0200	9 461 610 442	A	1	SHIM
48/1	146603-0300	9 461 610 443	A	1	SHIM
48/1	146603-0400	9 461 610 444	A	1	SHIM
48/1	146603-0500	9 461 610 445	A	1	SHIM
48/1	146603-0600	9 461 610 446	A	1	SHIM
48/1	146690-1400	9 461 611 329	A	1	SHIM
48/1	146690-1500	9 461 611 330	A	1	SHIM
48/1	146690-1600	9 461 611 331	A	1	SHIM
48/1	146690-1700	9 461 611 332	A	1	SHIM
48/1	146690-1800	9 461 611 333	A	1	SHIM
48/1	146690-1900	9 461 611 334	A	1	SHIM
49	146234-0120	9 461 612 352		2	GUIDE PIN
50	146402-2520	9 461 613 254		1	HYDRAULIC HEAD:D11 2X4.0 A0
51	146600-0000	9 461 610 413		1	O-RING
52/1	146420-0000	9 461 610 177	A	1	SHIM
52/1	146420-0100	9 461 610 178	A	1	SHIM
52/1	146420-0200	9 461 610 179	A	1	SHIM
52/1	146420-0300	9 461 610 180	A	1	SHIM
52/1	146420-0400	9 461 610 181	A	1	SHIM
52/1	146420-0500	9 461 610 182	A	1	SHIM
52/1	146420-0600	9 461 610 183	A	1	SHIM
52/1	146420-0700	9 461 610 184	A	1	SHIM

52/1	146420-0800	9 461 610 185	A	1	SHIM
52/1	146420-0900	9 461 610 186	A	1	SHIM
52/1	146420-1000	9 461 610 187	A	1	SHIM
52/1	146420-1100	9 461 610 188	A	1	SHIM
52/1	146420-1200	9 461 610 189	A	1	SHIM
52/1	146420-1300	9 461 610 190	A	1	SHIM
52/1	146420-1400	9 461 610 191	A	1	SHIM
52/1	146420-1500	9 461 610 192	A	1	SHIM
52/1	146420-1600	9 461 610 193	A	1	SHIM
52/1	146420-1700	9 461 610 194	A	1	SHIM
52/1	146420-1800	9 461 610 195	A	1	SHIM
52/1	146420-1900	9 461 610 196	A	1	SHIM
52/1	146420-2000	9 461 610 197	A	1	SHIM
52/1	146420-2100	9 461 610 198	A	1	SHIM
52/1	146420-2200	9 461 610 199	A	1	SHIM
52/1	146420-2300	9 461 610 200	A	1	SHIM
52/1	146420-2400	9 461 610 201	A	1	SHIM
52/1	146420-2500	9 461 610 202	A	1	SHIM
52/1	146420-2600	9 461 610 203	A	1	SHIM
52/1	146420-2700	9 461 610 204	A	1	SHIM
52/1	146420-2800	9 461 610 205	A	1	SHIM
52/1	146420-2900	9 461 610 206	A	1	SHIM
52/1	146420-3000	9 461 610 207	A	1	SHIM
52/1	146420-3100	9 461 610 208	A	1	SHIM
52/1	146420-3200	9 461 610 209	A	1	SHIM
52/1	146420-3300	9 461 610 210	A	1	SHIM
52/1	146420-3400	9 461 610 211	A	1	SHIM
52/1	146420-3500	9 461 610 212	A	1	SHIM
52/1	146420-3600	9 461 610 213	A	1	SHIM
52/1	146420-3700	9 461 610 214	A	1	SHIM
52/1	146420-3800	9 461 610 215	A	1	SHIM
52/1	146420-3900	9 461 610 216	A	1	SHIM
52/1	146420-4000	9 461 610 217	A	1	SHIM
52/1	146420-4100	9 461 610 218	A	1	SHIM
52/1	146420-4200	9 461 610 219	A	1	SHIM
52/1	146420-4300	9 461 610 220	A	1	SHIM
52/1	146420-4400	9 461 610 221	A	1	SHIM
52/1	146420-4500	9 461 610 222	A	1	SHIM
52/1	146420-4600	9 461 610 223	A	1	SHIM
52/1	146420-4700	9 461 610 224	A	1	SHIM
52/1	146420-4800	9 461 610 225	A	1	SHIM
52/1	146420-4900	9 461 610 226	A	1	SHIM
52/1	146420-5000	9 461 610 227	A	1	SHIM
52/1	146420-5100	9 461 610 228	A	1	SHIM
52/1	146420-5200	9 461 610 229	A	1	SHIM
52/1	146420-5300	9 461 610 230	A	1	SHIM
52/1	146420-5400	9 461 610 231	A	1	SHIM
52/1	146420-5500	9 461 610 232	A	1	SHIM
52/1	146420-5600	9 461 610 233	A	1	SHIM
52/1	146420-5700	9 461 610 234	A	1	SHIM
52/1	146420-5800	9 461 610 235	A	1	SHIM
54	146433-0100	9 461 610 239		4	GASKET
55	146430-1420	9 413 610 127		4	DELIVERY-VALVE ASSEMBLY:'VE15'VR45
56	146432-0200	9 461 612 323		4	COMPRESSION SPRING:K=1.0
58	146440-1520	9 461 613 748		4	FITTING:'15'D0.60 L=50
60	139106-0100	9 411 610 051		4	FLAT-HEAD SCREW
66	146600-0100	9 461 610 414		1	O-RING
67	146702-7020	9 461 613 760		1	MANIFOLD-PRESSURE COMP.
67/1	146805-3920	9 461 613 762		1	GOVERNOR COVER:4JB1
67/4	139310-0200	9 411 610 065		1	PLAIN WASHER
67/6	014110-6440	9 442 610 020		1	LOCKING WASHER
67/8	146515-1820	9 461 610 791		1	LEVER SHAFT
67/9	146587-4500	9 461 610 409		1	COILED SPRING
67/10	146600-0200	9 461 610 415		1	O-RING
67/11	146602-0100	9 461 610 435		1	PLAIN WASHER
67/12	146540-4420	9 461 613 753	A	1	CONTROL LEVER:'044'

67/12B	146540-4520	9 461 613 754	A	1	CONTROL LEVER:'045'
67/13	146621-1700	9 461 610 503		1	UNION NUT
67/14	146621-1700	9 461 610 503		1	UNION NUT
67/15	146526-1800	9 461 610 276		1	BLEEDER SCREW
67/16	146526-3000	9 461 611 439		1	BLEEDER SCREW
67/23	146926-8500	9 461 613 764		1	BRACKET:4JB1
67/24	139006-4500	9 411 610 554		2	BLEEDER SCREW
67/25	013020-6040	9 442 610 010		1	UNION NUT
67/26	146927-1820	9 461 613 765		1	BRACKET:IMC 4JB1-T
67/31	146710-0800	9 461 611 236		1	BUSHING
67/32	146711-0000	9 461 610 554		1	PLATE
67/33	139218-0400	9 411 610 060		1	UNION NUT
67/34	146712-0700	9 461 611 031		1	BEARING PIN:15.5B
67/35	146621-0300	9 461 610 502		1	UNION NUT
67/36	146600-1400	9 461 610 426		1	O-RING
67/37	146710-0100	9 461 610 553		1	BUSHING
67/38	139506-0200	9 411 610 073		1	GASKET
67/39	146620-0300	9 461 610 498		1	CAPSULE
67/40	026512-1540	9 442 610 044		1	GASKET
67/41	146713-0400	9 461 610 557		1	ADJUSTING PIN
67/42	146714-0000	9 461 610 558		2	PLATE
67/43	146715-0000	9 461 610 559		1	DIAPHRAGM
67/44	139306-0100	9 411 610 061		1	LOCKING WASHER
67/45	013030-6040	9 442 610 012		1	UNION NUT
67/46	146716-0000	9 461 610 560		1	UNION NUT
67/47	146717-2600	9 461 613 761		1	COILED SPRING:K=1.5 L=23
67/48/1	146720-0000	9 461 610 563	A	1	SPACER BUSHING
67/48/1	146720-0100	9 461 610 564	A	1	SPACER BUSHING
67/48/1	146720-0200	9 461 610 565	A	1	SPACER BUSHING
67/48/1	146720-0300	9 461 610 566	A	1	SPACER BUSHING
67/48/1	146720-0400	9 461 610 567	A	1	SPACER BUSHING
67/48/1	146720-0500	9 461 610 568	A	1	SPACER BUSHING
67/48/1	146720-0600	9 461 610 569	A	1	SPACER BUSHING
67/48/1	146720-0700	9 461 610 570	A	1	SPACER BUSHING
67/48/1	146720-0800	9 461 610 571	A	1	SPACER BUSHING
67/48/1	146720-0900	9 461 610 572	A	1	SPACER BUSHING
67/48/1	146720-1000	9 461 610 573	A	1	SPACER BUSHING
67/48/1	146720-1100	9 461 610 574	A	1	SPACER BUSHING
67/48/1	146720-1200	9 461 610 575	A	1	SPACER BUSHING
67/48/1	146720-1300	9 461 610 576	A	1	SPACER BUSHING
67/48/1	146720-1400	9 461 610 577	A	1	SPACER BUSHING
67/48/1	146720-1500	9 461 610 578	A	1	SPACER BUSHING
67/48/1	146720-1600	9 461 610 579	A	1	SPACER BUSHING
67/48/1	146720-1700	9 461 610 580	A	1	SPACER BUSHING
67/48/1	146720-1800	9 461 610 581	A	1	SPACER BUSHING
67/48/1	146720-1900	9 461 610 582	A	1	SPACER BUSHING
67/48/1	146720-2000	9 461 610 583	A	1	SPACER BUSHING
67/48/1	146720-2100	9 461 610 584	A	1	SPACER BUSHING
67/48/1	146720-2200	9 461 610 585	A	1	SPACER BUSHING
67/48/1	146720-2300	9 461 610 586	A	1	SPACER BUSHING
67/48/1	146720-2400	9 461 610 587	A	1	SPACER BUSHING
67/48/1	146720-2500	9 461 610 588	A	1	SPACER BUSHING
67/48/1	146720-2600	9 461 610 589	A	1	SPACER BUSHING
67/48/1	146720-2700	9 461 610 590	A	1	SPACER BUSHING
67/48/1	146720-2800	9 461 610 591	A	1	SPACER BUSHING
67/48/1	146720-2900	9 461 610 592	A	1	SPACER BUSHING
67/48/1	146720-4500	9 461 611 033	A	1	SPACER BUSHING:BCS L=1.8
67/48/1	146720-4600	9 461 611 034	A	1	SPACER BUSHING:BCS L=1.9
67/48/1	146720-4700	9 461 611 035	A	1	SPACER BUSHING:BCS L=2.0
67/48/1	146720-4800	9 461 611 036	A	1	SPACER BUSHING:BCS L=2.1
67/48/1	146720-4900	9 461 611 037	A	1	SPACER BUSHING:BCS L=2.2
67/48/1	146720-5000	9 461 611 038	A	1	SPACER BUSHING:BCS L=2.3
67/48/1	146720-5100	9 461 611 039	A	1	SPACER BUSHING:BCS L=2.4
67/48/1	146720-5200	9 461 611 040	A	1	SPACER BUSHING:BCS L=2.5
67/48/1	146720-5300	9 461 611 041	A	1	SPACER BUSHING:BCS L=2.6
67/49	146721-0820	9 461 611 043		1	COVER

67/54	139006-4400	9 411 610 583		2	BLEEDER SCREW
67/55	139006-4600	9 411 610 667		2	BLEEDER SCREW:L=14
67/56	146723-0300	9 461 613 001		1	CONTROL LEVER
67/57	146712-0100	9 461 610 556		1	BEARING PIN
67/58	146620-0600	9 461 610 500		2	CAPSULE
67/59	026506-1040	9 421 617 011		2	GASKET
67/60	146724-0300	9 461 611 260		1	ELEMENT
67/61	146724-0600	9 461 611 262		1	CAPSULE
67/64	146927-5920	9 461 613 766		1	BRACKET
67/78	146600-1000	9 461 610 422		1	SEAL RING
67/98	139006-4500	9 411 610 554		1	BLEEDER SCREW
67/100	146629-6000	9 461 612 366		1	BRACKET
67/200	139308-0300	9 411 610 063		1	PLAIN WASHER
67/201	146545-3400	9 461 612 181	A	1	THREADED PIN
67/201B	146545-3500	9 461 612 182	A	1	THREADED PIN
67/201C	146545-3600	9 461 612 183	A	1	THREADED PIN
67/202	139208-0900	9 411 610 627		1	UNION NUT
67/203	146600-1200	9 461 610 424		1	O-RING
68	146513-6820	9 461 613 750		1	CONTROL SHAFT:R=13 S R
69	139310-0200	9 411 610 065		1	PLAIN WASHER
72	146536-4900	9 461 613 751	A	1	CONTROL LEVER:'649'
72B	146536-5000	9 461 613 752	A	1	CONTROL LEVER:'650'
73	014110-6440	9 442 610 020		1	LOCKING WASHER
75	146621-2500	9 461 611 594		1	UNION NUT
95	146565-4820	9 461 613 755		1	FULCRUM LEVER:I=1.9 SKH5
104	146568-0000	9 461 610 342		2	SLOTTED SPRING PIN
105	026508-1140	0 986 613 069		2	GASKET
106	146588-0500	9 461 611 663		2	COILED SPRING
107	146569-0300	9 461 612 031		1	UNION NUT
108	146570-0100	9 461 610 346		1	GOVERNOR SHAFT:R
109	146600-0400	9 461 610 417		1	O-RING
110/1	146571-0000	9 461 610 348	A	1	SHIM
110/1	146571-0100	9 461 610 349	A	1	SHIM
110/1	146571-0200	9 461 610 350	A	1	SHIM
110/1	146571-0300	9 461 610 351	A	1	SHIM
110/1	146571-0400	9 461 610 352	A	1	SHIM
110/1	146571-0500	9 461 610 353	A	1	SHIM
110/1	146571-0600	9 461 610 354	A	1	SHIM
110/1	146571-0700	9 461 610 355	A	1	SHIM
110/1	146571-0800	9 461 610 356	A	1	SHIM
111	146602-0600	9 461 610 437		1	PLAIN WASHER
112	146572-0020	9 461 610 357		1	FLYWEIGHT ASSEMBLY
114	146602-0500	9 461 610 436		1	PLAIN WASHER
116	146576-0200	9 461 610 851		1	CAP
117/1	146577-1800	9 461 610 383	A	1	PLUG
117/1	146577-1900	9 461 610 384	A	1	PLUG
117/1	146577-2000	9 461 610 385	A	1	PLUG
117/1	146577-2100	9 461 610 386	A	1	PLUG
117/1	146577-2200	9 461 610 387	A	1	PLUG
117/1	146577-2300	9 461 610 388	A	1	PLUG
117/1	146577-2400	9 461 610 389	A	1	PLUG
117/1	146577-2500	9 461 610 390	A	1	PLUG
117/1	146577-2600	9 461 610 391	A	1	PLUG
117/1	146577-2700	9 461 610 392	A	1	PLUG
117/1	146577-2800	9 461 610 393	A	1	PLUG
117/1	146577-2900	9 461 610 394	A	1	PLUG
117/1	146577-3000	9 461 610 395	A	1	PLUG
117/1	146577-3100	9 461 610 396	A	1	PLUG
117/1	146577-3200	9 461 610 397	A	1	PLUG
117/1	146577-3300	9 461 610 398	A	1	PLUG
117/1	146577-6700	9 461 611 309	A	1	PLUG
117/1	146577-6800	9 461 611 310	A	1	PLUG
117/1	146577-6900	9 461 611 311	A	1	PLUG
117/1	146577-7000	9 461 611 312	A	1	PLUG
117/1	146577-7100	9 461 611 313	A	1	PLUG
117/1	146577-7200	9 461 611 314	A	1	PLUG

117/1	146577-7300	9 461 611 315	A	1	PLUG
117/1	146577-7400	9 461 611 316	A	1	PLUG
117/1	146577-7500	9 461 611 317	A	1	PLUG
117/1	146577-7600	9 461 611 318	A	1	PLUG
117/1	146577-7700	9 461 611 319	A	1	PLUG
117/1	146577-7800	9 461 611 320	A	1	PLUG
117/1	146577-7900	9 461 611 321	A	1	PLUG
117/1	146577-8000	9 461 611 322	A	1	PLUG
117/1	146577-8100	9 461 611 323	A	1	PLUG
117/1	146877-0000	9 461 613 553	A	1	PLUG
117/1	146877-0100	9 461 613 554	A	1	PLUG
117/1	146877-0200	9 461 613 555	A	1	PLUG
117/1	146877-0300	9 461 613 556	A	1	PLUG
123	146620-0500	9 461 610 499		4	HEX-SOCKET-HEAD CAP SCREW
130	146421-0320	9 461 612 321		1	CAPSULE:D14 DI
130/2	026508-1140	0 986 613 069		1	GASKET
130/3	146422-0300	9 461 612 322		1	BLEEDER SCREW
130/4	146600-0500	9 461 610 418		1	O-RING
133	146600-0600	9 461 610 419		1	O-RING
134	146600-0700	9 461 610 420		1	O-RING
135	146110-0620	9 461 612 311		1	CONTROL VALVE:'06'2XD1.6K=2.
135/5	146114-0000	9 461 610 094		1	SPRING WASHER
136	146650-4820	9 461 613 756		1	PULLING ELECTROMAGNET:' 48'12V 4XD0
137	029331-4010	9 442 610 120		2	GASKET
145	146621-1000	9 461 611 665		1	UNION NUT
160	146625-8020	9 461 612 335		1	PLATE
200	146206-0100	9 461 610 113		1	COILED SPRING
205	029470-4030	9 442 610 130		1	WOODRUFF KEY
220	146587-5000	9 461 610 411		1	COILED SPRING
223	146670-9320	9 461 613 757		1	MICROSWITCH:4JB1-TC
233	146658-8920	9 461 612 369		1	WIRE:IMC S/T
240	146650-1220	9 461 610 533		1	PULLING ELECTROMAGNET
240/8	146600-1700	9 461 610 427		1	O-RING
242	146658-7320	9 461 612 231		1	WIRE:' 73' 12V
243	146621-1000	9 461 611 665		1	UNION NUT
245	026512-1840	9 442 610 045		3	GASKET
246	146125-0000	9 461 612 312		1	EYE BOLT
247	146607-8820	9 461 612 364		1	PIPE:S/T B1 B2 B3
248	146614-0200	9 461 610 481		1	SPACER BUSHING
310	146673-7920	9 461 613 758		1	POTENTIOMETER:'379'3 1-60
800S	146019-4320	9 460 610 288		1	PUMP HOUSING
800S/1/6	146601-0100	9 461 610 432		1	PACKING RING
804S	146232-0720	9 461 612 351		1	COMPRESSION SPRING
805S	146574-0120	9 461 610 358		1	PARTS SET
810S	146600-1120	9 461 610 423		1	REPAIR SET
812S	146600-1920	9 461 610 429		1	PARTS SET
835S	146598-1000	9 461 612 195		1	CAP:LOAD
836S/1	146598-0600	9 461 612 191	A	1	CAP:SPEED L=18
836S/1	146598-0700	9 461 612 192	A	1	CAP:SPEED L=21
836S/1	146598-0800	9 461 612 193	A	1	CAP:SPEED L=24
836S/1	146598-0900	9 461 612 194	A	1	CAP:SPEED L=27
903	146672-1720	9 461 611 810		1	PULSE GENERATOR
903/2	146600-1300	9 461 610 425		1	O-RING
905	146679-0820	9 461 613 759		1	ACTUATOR:4JB1
906	146918-2400	9 461 613 763		1	NAMEPLATE
912	020146-1270	9 442 610 642		2	BLEEDER SCREW